

DESIGNED TO PERFORM IN THE MOST CONFINED SPACES.

FBC15NS-FBC20NS

3,000 - 4,000 LB CAPACITY
STAND-UP END-CONTROL

1. Flexible

Maneuverable Design

The stand-up end-control's space-saving design allows the truck to stack and retrieve goods efficiently in significantly narrower aisles than other counterbalanced trucks and at high lift heights, allowing you to maximize space.

Personalized Solutions

Designed with standard cushion tires and a variety of mast and load handling options, the FBC15NS series is ideal for dock-to-stock applications, shuttling goods, or moving large loads in confined spaces.

2. Smart

AC Control System

The PM-1000 Alternating Current (AC) hydraulic system provides competitive lift speeds with precise fork movement, resulting in increased productivity for your application.

Five Pre-Programmed Performance Modes

From the warehouse to the loading dock, performance can be matched to the application, allowing operators to stay focused on the task at hand.

3. Efficient

In Control

The intuitive, multifunction control handle is centrally positioned for easy access to truck functions and offers simultaneous control of drive, lift/lower and auxiliary hydraulic functions.

Electric Power Steering

Electric power steering provides improved energy efficiency, operator comfort and serviceability over traditional hydrostatic power steering.

4. Ergonomic

Enhanced Comfort

Built for operator comfort, the stand-up end-control features a low step, generous floor space and an ERGOMAT® anti-fatigue floor mat for added comfort during even the longest shifts.

Digital Display

The standard premium display panel, featuring a battery discharge indicator (BDI), travel direction and speed indicators, keeps the operator aware of vital information at all times.



FGC15NS-FBC20NS

CHARACTERISTICS		FBC15NS		FBC18NS		FBC20NS			
1	Capacity at rated load center	lb	kg	3,000	1,400	3,500	1,600	4,000	1,800
2	Capacity load center - distance from fork face	in	mm	24	600	24	600	24	600
3	Power voltage	V		36		36		36	
4	Tire type, drive / steer	solid rubber / poly		solid rubber / poly		solid rubber / poly		solid rubber / poly	
5	Wheels (x=driven)	2x / 2		2x / 2		2x / 2		2x / 2	
DIMENSIONS									
6	Maximum fork height lift with standard two-stage mast	in	mm	131	3,330	131	3,330	131	3,335
7	Free fork height lift with standard two-stage mast	in	mm	34.6	880	34.6	880	34.8	885
8	Fork width	in	mm	3.9	100	3.9	100	3.9	100
9	Fork thickness	in	mm	1.4	35	1.4	35	1.6	40
10	Fork spacing - out-to-out minimum	in	mm	9.5	240	9.5	240	9.5	240
11	Fork spacing - out-to-out maximum	in	mm	36.5	920	36.5	920	36.5	920
12	Tilt angle, forward / backward	deg		3 / 5		3 / 5		3 / 5	
13	Mast width	in	mm	22.8	580	22.8	580	22.8	580
14	Length to fork face	in	mm	67.5	1,715	67.5	1,715	73.0	1,855
15	Overall chassis width	in	mm	41.0	1,040	41.0	1,040	41.0	1,040
16	Overall lowered height (mast)	in	mm	82.9	2,105	82.9	2,105	82.9	2,105
17	Overall lowered height to top of overhead guard	in	mm	88.0	2,240	88.0	2,240	88.0	2,240
18	Overall height with extended mast	in	mm	180	4,560	180	4,560	180	4,560
19	Step height	in	mm	8.0	204	8.0	204	8.0	204
20	Battery roller height	in	mm	7.3	185	7.3	185	7.3	185
21	Load moment constant	in	mm	14.6	370	14.6	370	15.2	386
22	Minimum outside turning radius	in	mm	55.5	1,410	55.5	1,410	60.4	1,535
23	Minimum aisle - 90° stack - zero clearance ^[1]	in	mm	70.1	1,780	70.1	1,780	75.6	1,921
PERFORMANCE									
24	Travel speed, loaded / empty	mph	kph	7.7 / 7.7	12.4 / 12.4	7.7 / 7.7	12.4 / 12.4	7.7 / 7.7	12.4 / 12.4
25	Lift speed, loaded (triplex)	mph	kph	80	0.40	75	0.38	70	0.35
26	Lift speed, empty (triplex)	fpm	m/s	110	0.55	110	0.55	110	0.55
27	Lower speed, loaded (triplex)	fpm	m/s	95	0.48	95	0.48	95	0.48
28	Lower speed, empty (triplex)	fpm	m/s	85	0.42	85	0.42	85	0.42
29	Gradeability, loaded (maximum)	%		15		15		15	
30	Gradeability, empty (maximum)	%		15		15		15	
WEIGHT									
31	Truck weight - empty with minimum weight battery	lb	kg	7,700	3,500	8,400	3,800	9,250	4,200
32	Battery weight (minimum)	lb	kg	2,000	910	2,000	910	2,600	1,180
33	Battery weight (maximum)	lb	kg	2,300	1,050	2,300	1,050	2,900	1,320
CHASSIS									
34	Chassis type, stand / sit	stand		stand		stand		stand	
35	Wheelbase	in	mm	46	1,169	46	1,169	51	1,295
36	Ground clearance - center of wheelbase	in	mm	4.0	103	4.0	103	4.0	103
37	Ground clearance - lowest point at mast	in	mm	2.9	75	2.9	75	2.9	75
38	Tire size, drive	in	mm	16.25x7	413x178	16.25x7	413x178	16.25x7	413x178
39	Tire size, steer	in	mm	10.5x4	267x102	10.5x4	267x102	10.5x4	267x102
40	Brake type	electric disc		electric disc		electric disc		electric disc	
ELECTRICAL									
41	Traction motor type	AC induction		AC induction		AC induction		AC induction	
42	Traction motor output kW (60 minute rating)	HP	kW	5.9	4.4	5.9	4.4	5.9	4.4
43	Pump motor type	AC induction		AC induction		AC induction		AC induction	
44	Pump motor output kW (20% rating)	HP	kW	14.7	11.0	14.7	11.0	14.7	11.0
45	Steer motor type	AC induction		AC induction		AC induction		AC induction	
46	Steer motor output kW (60 minute rating)	HP	kW	0.53	0.4	0.53	0.4	0.53	0.4
47	Battery maximum capacity - A/H (6 hour rating)	1,240		1,240		1,240		1,240	
48	Battery compartment length (front - back)	in	mm	16.25	413	16.25	413	21.25	540
49	Battery compartment width (side - side)	in	mm	38.9	990	38.9	990	38.9	990
50	Battery compartment height	in	mm	31.7	805	31.7	805	31.7	805

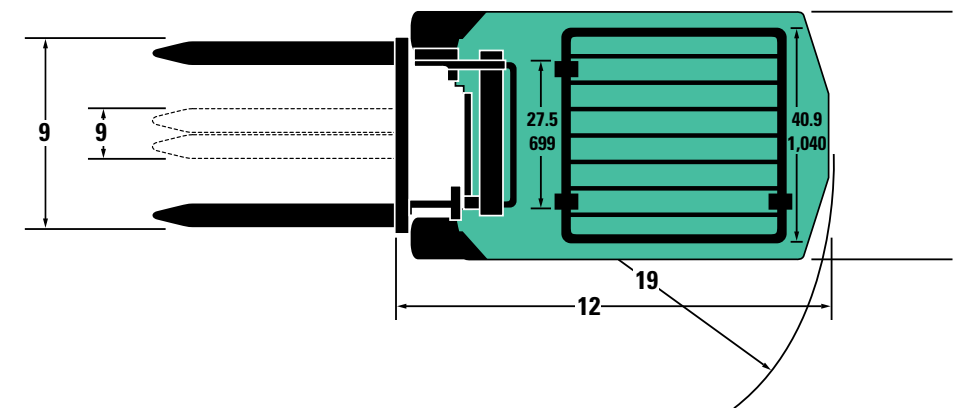
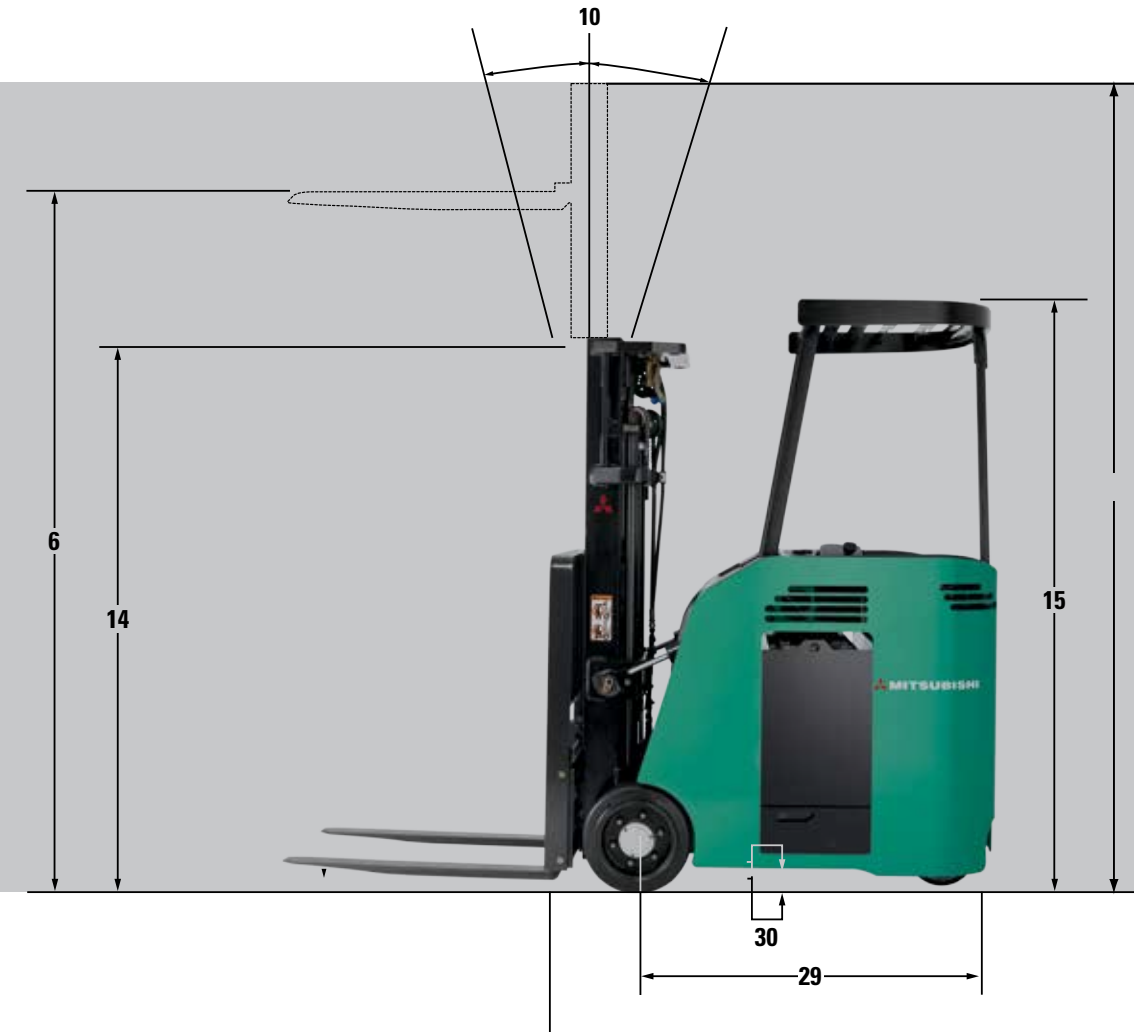
[1] Add load length and operator clearance.

SAFETY STANDARDS

These trucks meet American National Standards Institute/Industrial Truck Standards Development Foundation, ANSI/ITSDF B56.1. UL-Classified by Underwriters Laboratories, Inc., as to fire and electric shock hazard only; Type E, EE (optional), Industrial Trucks. Users should be aware of, and adhere to, applicable codes and regulations regarding operator training, use, operation and maintenance of powered industrial trucks, including:

- ANSI/ITSDF B56.1.
- NFPA 505, fire safety standard for powered industrial trucks -type designations, areas of use, maintenance and operation.
- Occupational Safety and Health Administration (OSHA) regulations that may apply.

Specifications, equipment, technical data, photos and illustrations based on information at time of printing and subject to change without notice. Some products may be shown with optional equipment.



FBC15NS-FBC20NS

3,000 - 4,000 LB CAPACITY STAND-UP END-CONTROL

Flexible Operation

1. The One-Truck-Fits-All Solution

With optional quad masts along with various load handling options, the stand-up end-control series is as comfortable in a trailer as it is in the warehouse.

2. The Specific Solution

For applications requiring added protection from potential fire or electrical shock risks, these forklifts can be configured with an optional UL type EE rating.

3. Designed for Drive-in Racks

Designed with your application in mind, the FBC15NS-FBC20NS series comes standard with an overhead guard that works in drive-in-racks – making no modifications necessary. Optional guard heights are also available to meet the specific height requirements of your application.

4. Freezer And Cooler Packages

To help keep the truck running smoothly in even the harshest conditions, these packages include features such as thermostats, heaters on key components and low-temperature fluids that can all be installed by your local dealer.



Manufactured with superior quality and exceptional value, Mitsubishi forklift trucks are supported by an extensive dealer and field support network located throughout North and South America. Don't forget to ask your local Mitsubishi forklift truck dealer about details on factory retail programs, financing plans and additional options and dealer services like planned maintenance and operator training.



Copyright © 2012. All rights reserved. All registered trademarks are the property of their respective owners. Some products may be shown with optional equipment. Printed in U.S.A.

